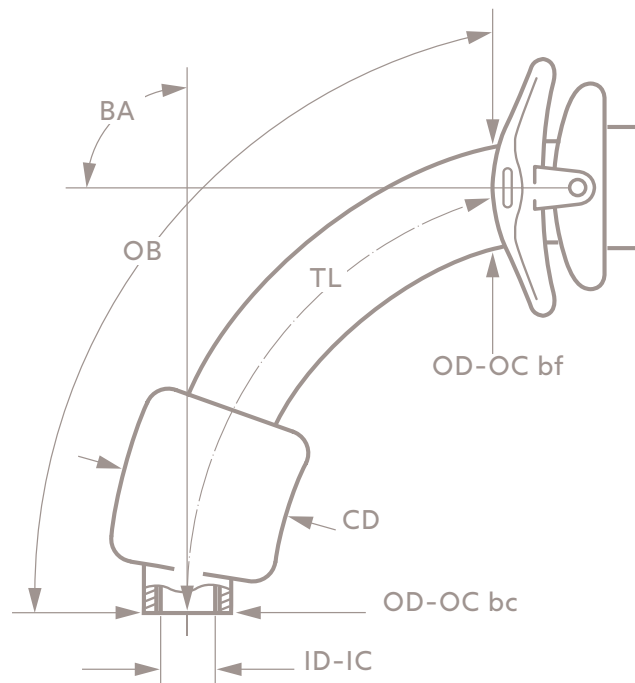


Technical Data

Tracoe Twist



Size	ID-IC	OD-OC bc	OD-OC bf	TL	OB	BA	CD
mm	mm	mm	mm	mm	mm	e°	mm
04	4.0	7.2	8.6	59	63.0	110	15
05	5.0	8.6	10.1	66	73.0	100	18
06	6.0	9.2	10.8	72	79.5	95	23
07	7.0	10.4	12.0	74	80.5	95	26
08	8.0	11.4	12.7	76	83.0	90	28
09	9.0	12.5	14.2	78	88.5	90	30
10	10.0	13.8	15.2	80	89.5	90	32

ID-IC: inside diameter (clear width) at bottom of inner cannula;
OD-OC bc: outside diameter at bottom of outer cannula; **OD-OC bf:** outside diameter of outer cannula behind the flange; **TL:** along centre line from start of neck flange to bottom of tube; **OB:** length along outer bend from start of neck flange to bottom of tube; **BA:** bending angle; **CD:** cuff diameter